

### Glass Fabric Tape GSK

Group: 1291

#### Application

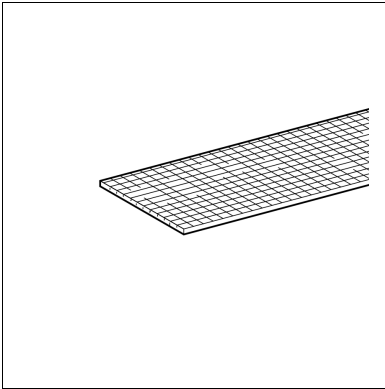
Inlay for pipe clamps for thermic and galvanic separation (prevention of contact corrosion). The Glass Fabric Tape is classified in the hydrolytic class I (best class) according to DIN 12111 regarding resistance to water. So it has an excellent resistance to acid and neutral solutions.

#### Scope of delivery

In rolls, self-adhesive on one side, coated with PE peel-off foil on the adhesive side.

#### Technical Data

Temperature range: Up to +500°C permanent exposure  
 Density: 2,6 g/cm<sup>3</sup>  
 Tensile strength: 3.400 - 3.700 N/mm<sup>2</sup>  
 Resistant to: Oils, greases, solvents and organic acids.



Type	Width [mm]	Thickness [mm]	Roll [m]	Part number
30 x 2	30	2.0	10	<b>114865</b>
40 x 2	40	2.0	10	<b>114866</b>
50 x 2	50	2.0	10	<b>114867</b>
60 x 2	60	2.0	10	<b>114868</b>
70 x 2	70	2.0	10	<b>114869</b>
80 x 2	80	2.0	10	<b>800284</b>